

# Assembly instructions: Table Tennis Table Infinity Paper craft

## Preparation

●cutter ●wood glue (quick dry) ●double-sided tape (5mm width) ●tweezers ●bamboo skewer

## [Assembly tips]

Following tips are basic techniques for the assembly.

1. To avoid losing or missing parts, and also for your conformation of the parts, make a duplication of the parts sheets to the thick papers.
2. Write parts numbers to the reverse side of the parts.
3. Before starting the assembly, apply the double-sided tapes to the sticking margins with green characters.
4. Look at the photographs carefully. Find out whether it is mountain fold or valley fold, and fold the lines.
5. Before attaching the parts permanently, make sure to find out which parts goes where by assembling the parts temporarily.
6. Apply the wood glue to the sticking margins with red characters.
7. The parts with light blue characters, carefully find out the up and the down sides when they are glued. For the parts with purple characters, fold it half and glue together.
8. Hold the parts firmly until either glue dried or tape is stuck.
9. Painting with similar colors to the cross-sections of the parts makes the final looks better.

## [How to stick double-sided tape]



1. Apply double-sided tape to a sticking margin.
2. Cut the double-sided tape along to the shape of the margin.
3. Peel a back sheet and apply the tape.

Make a valley fold along to the red line.



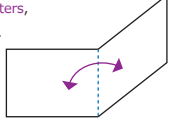
Apply the double-sided tapes to the sticking margins with green characters.



Apply the wood glue to the sticking margins with red and light blue characters.

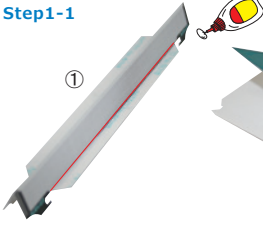


The parts with purple characters, fold it half and glue together.



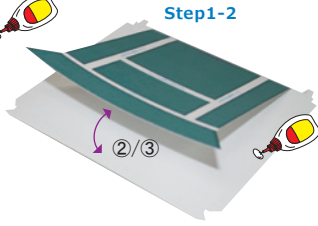
## Step1 Table top assembly

### Step1-1

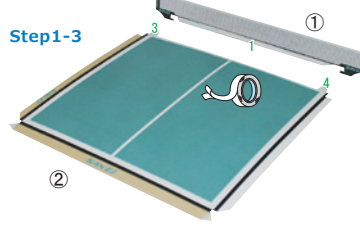


1. Make valley fold on the sticking margin of ①, and fold it in half. It will become a shape like T upside-down.
2. Fold ② in half, and gluing together. Do same for ③.

### Step1-2

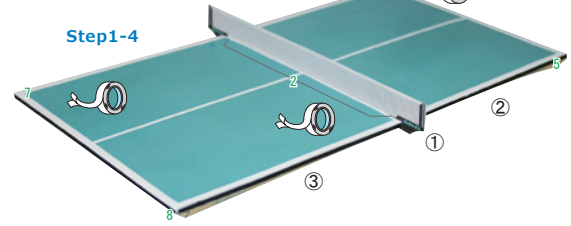


### Step1-3



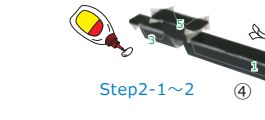
3. After gluing the assembled ① and ② at 1, glue ③ and the parts 2~4 together to make a table top and a net.

### Step1-4

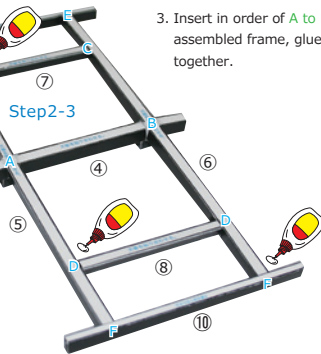


4. Fold all the ends and glue 5~8 together.

## Step2 Frame assembly



1. After gluing 1~5 of ④ together, apply glue on ● and glue together like closing a lid. Do same on ■, ★, ○, □, ☆.
2. After gluing 1 of ⑤~⑩ together, apply glue on ● and glue together like closing a lid. Do same on ○.

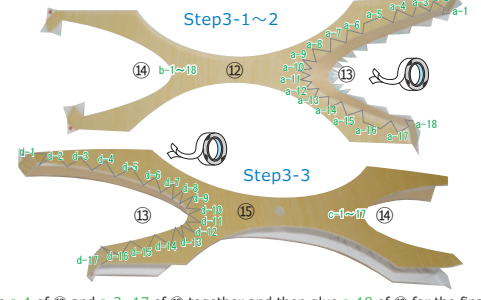


3. Insert in order of A to F of the assembled frame, glue them together.

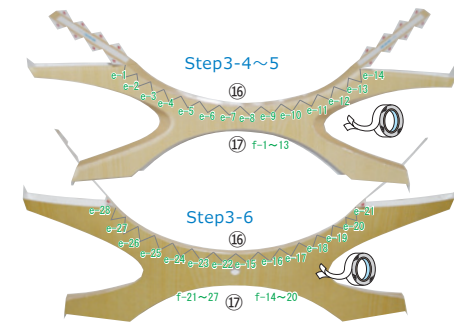


4. Apply a double-sided tape to the reverse side of ⑪. Put a bamboo skewer and roll it. If there is remaining part, cut it out.

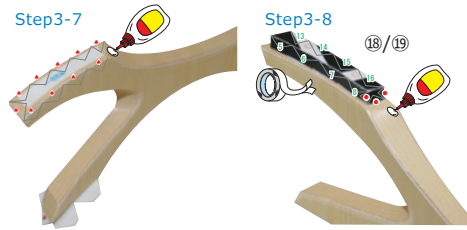
## Step3 Legs assembly



1. Glue a-1 of ⑫ and a-2~17 of ⑬ together and then glue a-18 of ⑫ for the final.
2. Do almost same as above. Glue b-1 of ⑫ and b-2~17 of ⑬ together and then glue b-18 of ⑫ for the final.
3. Turning it upside-down, and glue c-1~17 of ⑭ and d-1~17 of ⑭ together.



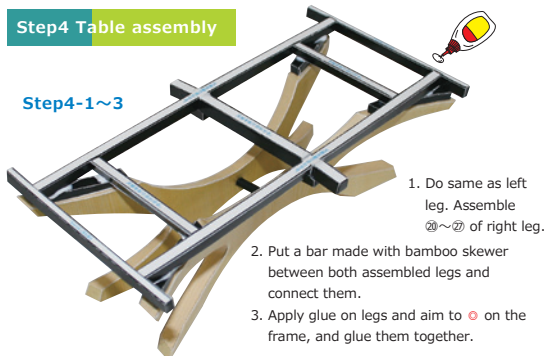
4. Glue the assembled part and e-1~14 of ⑯ together in order.
5. Turning it upside-down, and glue e-15~21 and e-22~28 of ⑯ together in order.
6. Do almost same as above. Turning it upside-down, and glue f-1~13, f-14~20 and f-21~27 of ⑯ together in order.



7. Apply glue to the sticking margins of ◆◆◆◆, and glue together like closing a lid.
8. After gluing 1~4, 5~8, 9~12, and 13~16 of ⑰ together, apply glue on ● and close it like lid. Do almost same to assemble ⑱, and glue legs and light blue character of ⑱ together by aligning up and down sides.

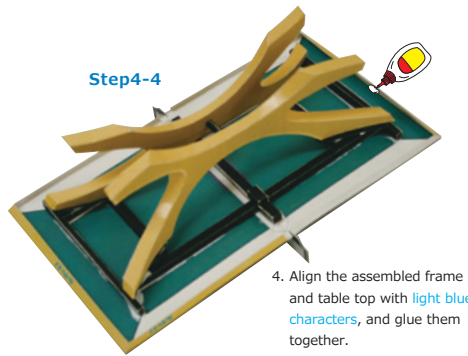
## Step4 Table assembly

### Step4-1~3



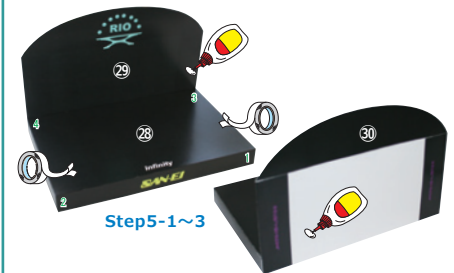
1. Do same as left leg. Assemble ⑳~㉓ of right leg.
2. Put a bar made with bamboo skewer between both assembled legs and connect them.
3. Apply glue on legs and aim to ○ on the frame, and glue them together.

### Step4-4



4. Align the assembled frame and table top with light blue characters, and glue them together.

## Step5 Stage assembly



1. After folding all four ends of ㉔ in half and glue them, glue 1~4 to make it like a box.
2. After folding both ends of ㉔ in half, glue ㉔ to the reverse side of ㉔.
3. Align the light blue characters and glue the assembled parts together.

### Step5-4



4. Display the completed table on the stage.